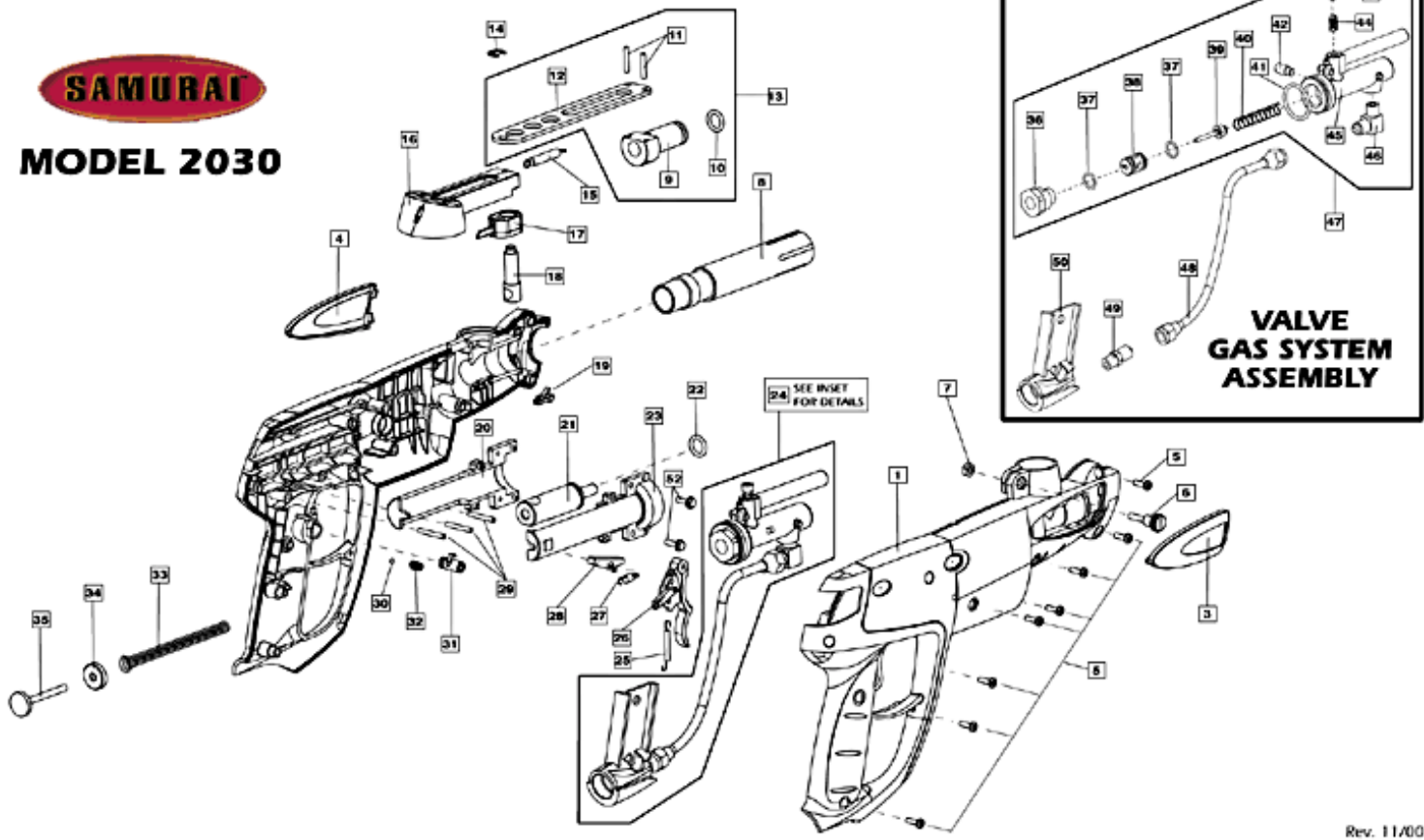


SAMURAI
MODEL 2030



Rev. 11/00

Manuals Provided by: <http://www.mcarterbrown.com>